

## SECTION 1. ILLUSTRATED PARTS LIST

The following recommended spare parts list (Table 1-1) is provided as a guide to the user for convenience in the maintenance of BK series crack sealing machines. All of the parts listed are available from BearCat Manufacturing, Inc.

**Table 1-1. Recommended Spare Parts**

Description	Part No.	Qty
Engine Oil Filter	<a href="#">FTR-80932</a>	1
Engine Air Filter	<a href="#">FTR-80934</a>	1
Diesel Fuel Filter – Engine Element	<a href="#">FTR-80930</a>	1
Hydraulic Filter Element	<a href="#">FTR-22502</a>	1
Product Pump Packing	<a href="#">RNG-80054</a>	1
Hot-Oil Pump Packing	<a href="#">RNG-80297</a>	1 set
Application Hose with Fittings	<a href="#">MSC-80418-Y</a>	1
Wand Handle with Ball Valve	<a href="#">VLV-27083</a>	1
Coupling Chain (only)	<a href="#">FIT-80017</a>	1
Burner Nozzle, 2.25-60°	<a href="#">FIT-50164</a>	1
Bus Bar Support	<a href="#">BRK-81182</a>	1

The BK-250D Kracker™ and the BK-400D Kracker™ are similar in design and operation. The BK-250D Kracker™ is used for most of the figures in the Illustrated Parts List. Differences are noted in the parts list or difference drawings are provided in the applicable figure.

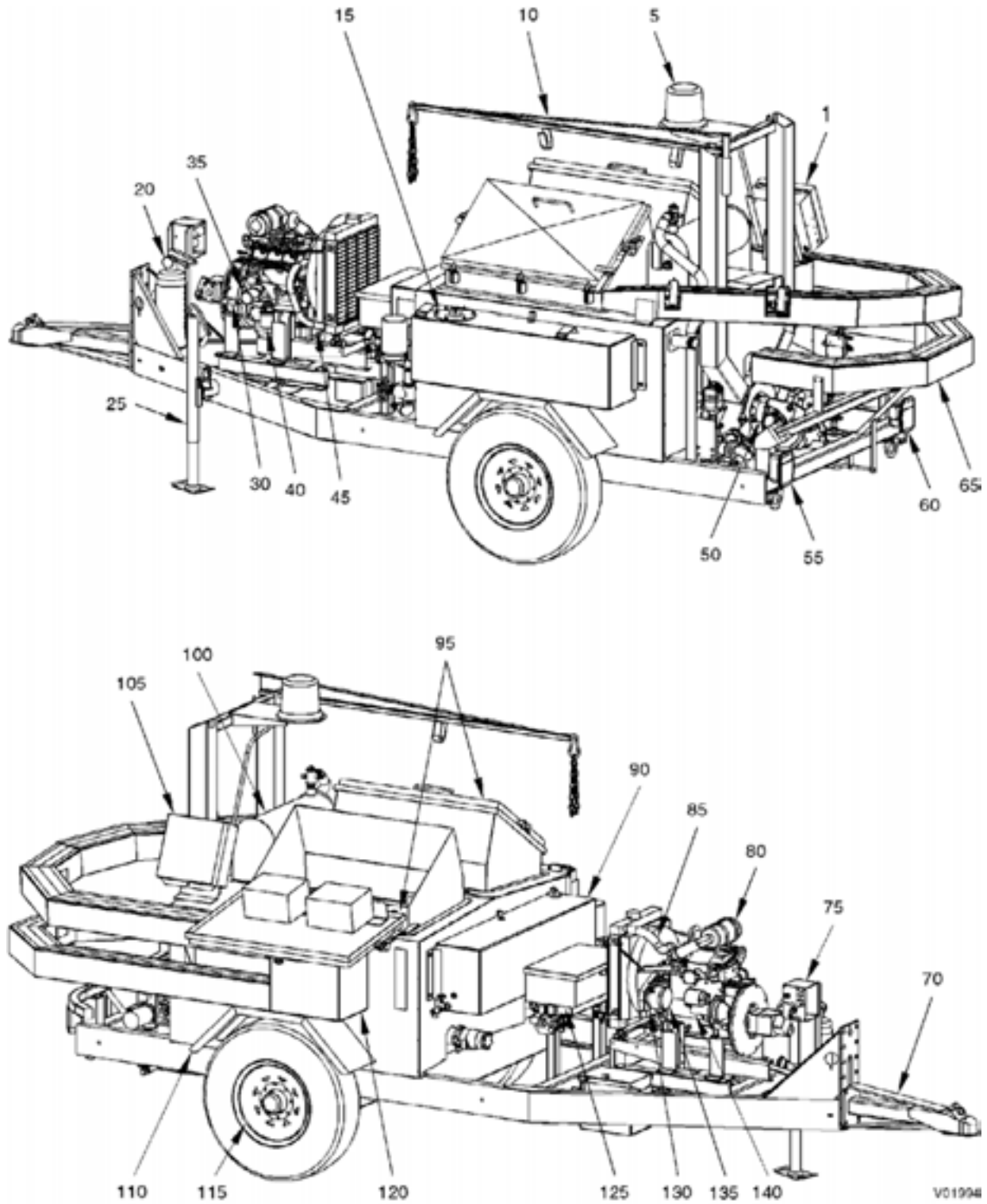
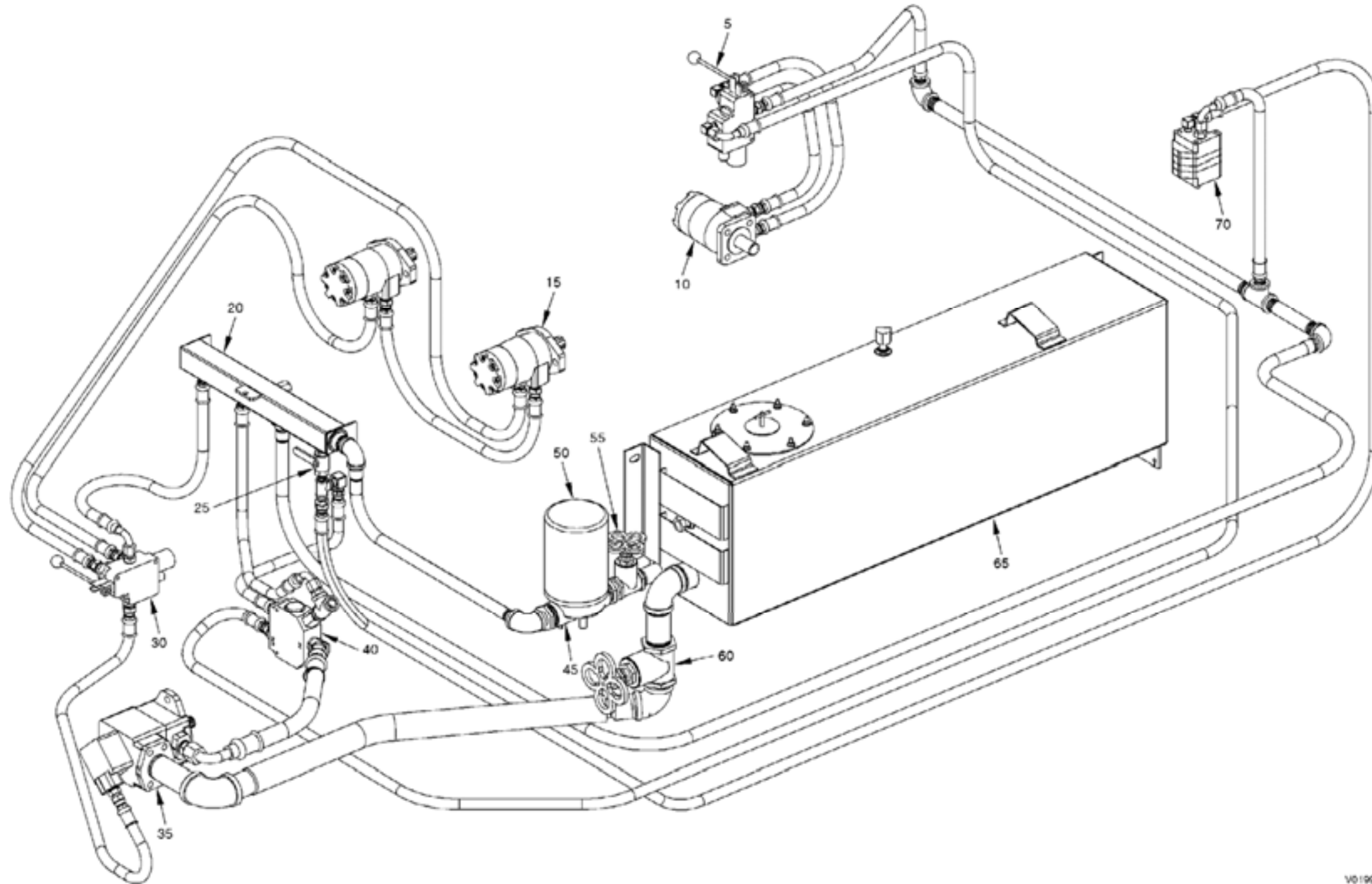


Figure 6-1. BK-250D Kracker



Fig	Item	Description	Part No.	Qty
6-1	1	Kracker (complete)	BK-250D	RF
	5	Beacon, Rotating	<a href="#">ELC-24215</a>	1
	10	Hose Jib	<a href="#">BRK-80365</a>	1
	15	Hydraulic Tank (BK-250D)	<a href="#">TNK-80242</a>	1
		Hydraulic Tank (BK-400D)	<a href="#">TNK-80241</a>	1
	20	Fire Extinguisher, 10-lb	<a href="#">MSC-80009</a>	1
	25	Jack, 5,000-lb	<a href="#">MCH-80104</a>	1
	30	Diesel Engine, Isuzu (3LB1-EAO1)	<a href="#">PMP-81008</a>	1
	35	Filter, Oil (3LB1-EAO1)	<a href="#">FTR-80932</a>	1
	40	Filter, Fuel (3LB1-EAO1)	<a href="#">FTR-80930</a>	1
	45	Radiator Hose, Bottom	<a href="#">PIP-81019</a>	1
	50	Diesel Burner Assembly (see Figure 1-7)	<a href="#">PTM-80690</a>	1
	55	Tail Light, Left-Hand	<a href="#">ELC-24306</a>	1
	60	Tail Light, Right-Hand	<a href="#">ELC-24307</a>	1
	65	Heated Hose Trough (BK-250D)	<a href="#">HSG-80531</a>	1
		Heated Hose Trough (BK-400D)	<a href="#">HSG-80530</a>	1
		• Clamps, Heated Hose Trough	<a href="#">HSG-80533</a>	AR
		• Rubber 1/8 in. X 3 1/4 in.	<a href="#">MSM-80538</a>	AR
		• Hot-Oil Tube, Upper (BK-250D)	<a href="#">HSG-80564</a>	1
		Hot-Oil Tube, Upper (BK-400D)	<a href="#">HSG-81211</a>	1
		• Hot-Oil Tube, Lower (BK-250D)	<a href="#">HSG-80563</a>	1
		Hot-Oil Tube, Lower (BK-400D)	<a href="#">HSG-81210</a>	1
	70	Hitch, Extended, 2 5/16 in. Ball	<a href="#">FAS-80127</a>	1
	75	Control Panel Assembly W/Gauges	<a href="#">HSG-81057</a>	1
	80	Filter, Air (3LB1-EAO1)	<a href="#">FTR-80934</a>	1
	85	Radiator Hose, Top	<a href="#">PIP-81020</a>	1
	90	Diesel Tank (BK-250D)	<a href="#">TNK-80243</a>	1
		Diesel Tank (BK-400D)	<a href="#">TNK-80244</a>	1
	95	Sealant Loading Door Assembly	<a href="#">HSG-80271</a>	2
	100	Hot-Oil Expansion Tank	<a href="#">TNK-71201</a>	1
	105	Control Box Assembly (see Figure 1-8)	<a href="#">HSG-81019</a>	1
	110	Fender (BK-250D)	<a href="#">GRD-81069</a>	2
		Fender (BK-400D)	<a href="#">GRD-81060</a>	2
	115	Rim, White	<a href="#">MSC-80126</a>	AR
	120	Insulated Box	<a href="#">HSG-49896</a>	1
	125	Tool Box	<a href="#">HSG-80030</a>	1
	130	Fan Belt	<a href="#">PTM-80668</a>	1
	135	Alternator	<a href="#">MSC-80663</a>	1
	140	Starter	<a href="#">MSC-80622</a>	1



V01995

Figure 6-2. Kracker Hydraulic System

Fig	Item	Description	Part No.	Qty
6-2		Hydraulic System		RF
	5	Valve, Directional Control	<a href="#">VLV-80005</a>	1
	10	Hydraulic Motor, Product Pump	<a href="#">PMP-80309</a>	1
	15	Auger Motor	<a href="#">PMP-80355</a>	2
	20	Hydraulic Manifold	<a href="#">MSC-81015</a>	1
	25	Valve, 3/8 in. Ball	<a href="#">VLV-29202</a>	1
	30	Valve, Directional Control	<a href="#">VLV-80005</a>	1
	35	Hydraulic Pump (V2010)	<a href="#">PMP-80002</a>	1
	40	Priority Valve	<a href="#">VLV-80004</a>	1
	45	Filter Base	<a href="#">FTR-22503</a>	1
	50	Filter, Hydraulic	<a href="#">FTR-22502</a>	1
	55	Valve, 1 in. Gate	<a href="#">VLV-29242</a>	1
	60	Valve, 1 1/2 in. Gate	<a href="#">VLV-29260</a>	1
	65	Hydraulic Tank (BK-250D)	<a href="#">TNK-80242</a>	RF
		Hydraulic Tank (BK-400D)	<a href="#">TNK-80244</a>	RF
	70	Hydraulic Motor, Transfer-Oil (Hot-Oil) Pump	<a href="#">PMP-80322</a>	1

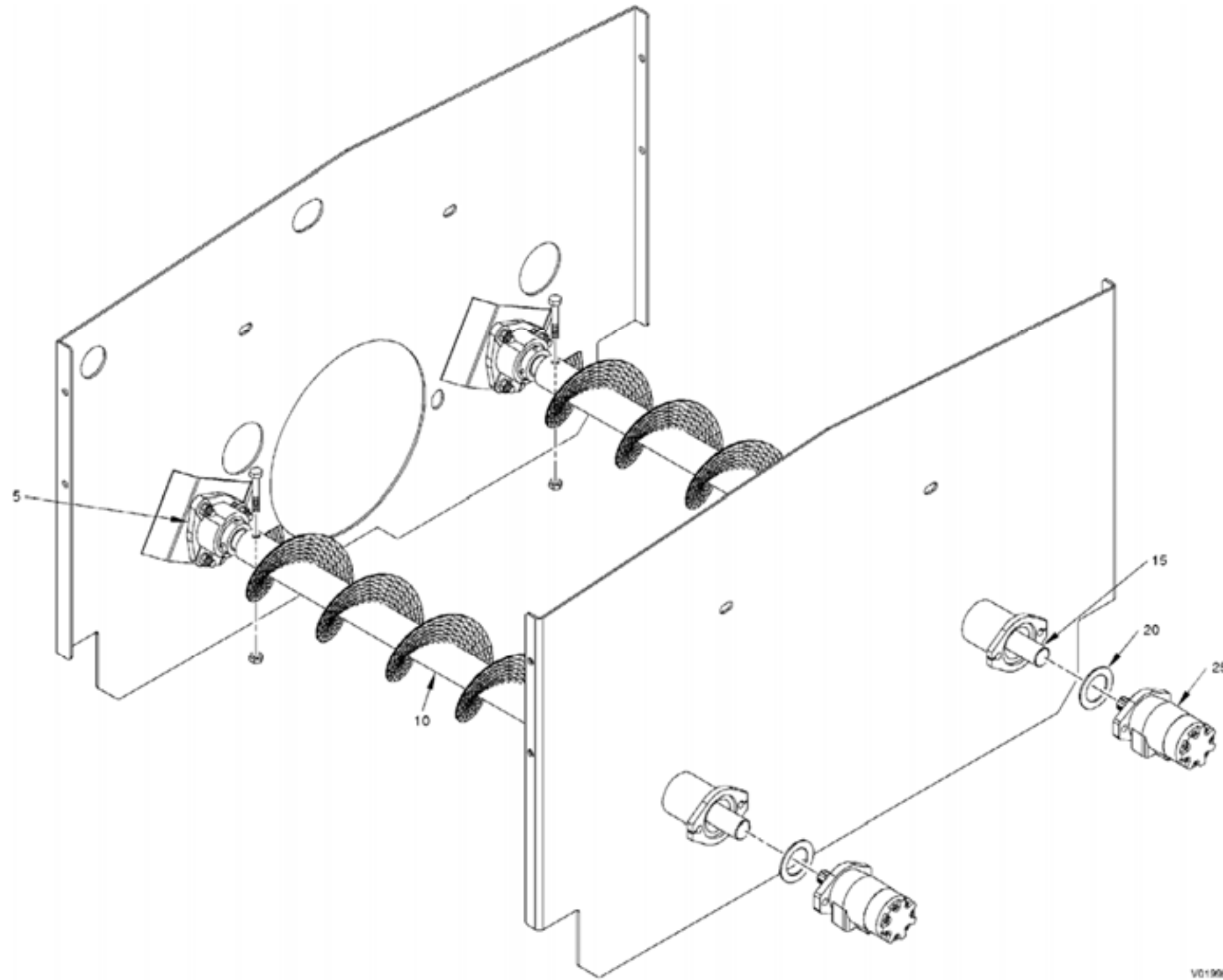


Figure 6-3. Circulating Auger Assembly



Fig	Item	Description	Part No.	Qty
6-3		Circulating Auger Assembly		RF
	5	Bearing	<a href="#">PTM-80353</a>	2
	10	Auger 8 in. (BK-250D)	<a href="#">MCH-80348</a>	2
		Auger 8 in. (BK-400D)	<a href="#">MCH-80426</a>	2
	15	Auger Shaft (BK-250D)	<a href="#">PTM-80345</a>	2
		Auger Shaft (BK-400D)	<a href="#">PTM-80425</a>	2
	20	Gasket	<a href="#">RNG-29054</a>	2
	25	Auger Motor	<a href="#">PMP-80355</a>	RF

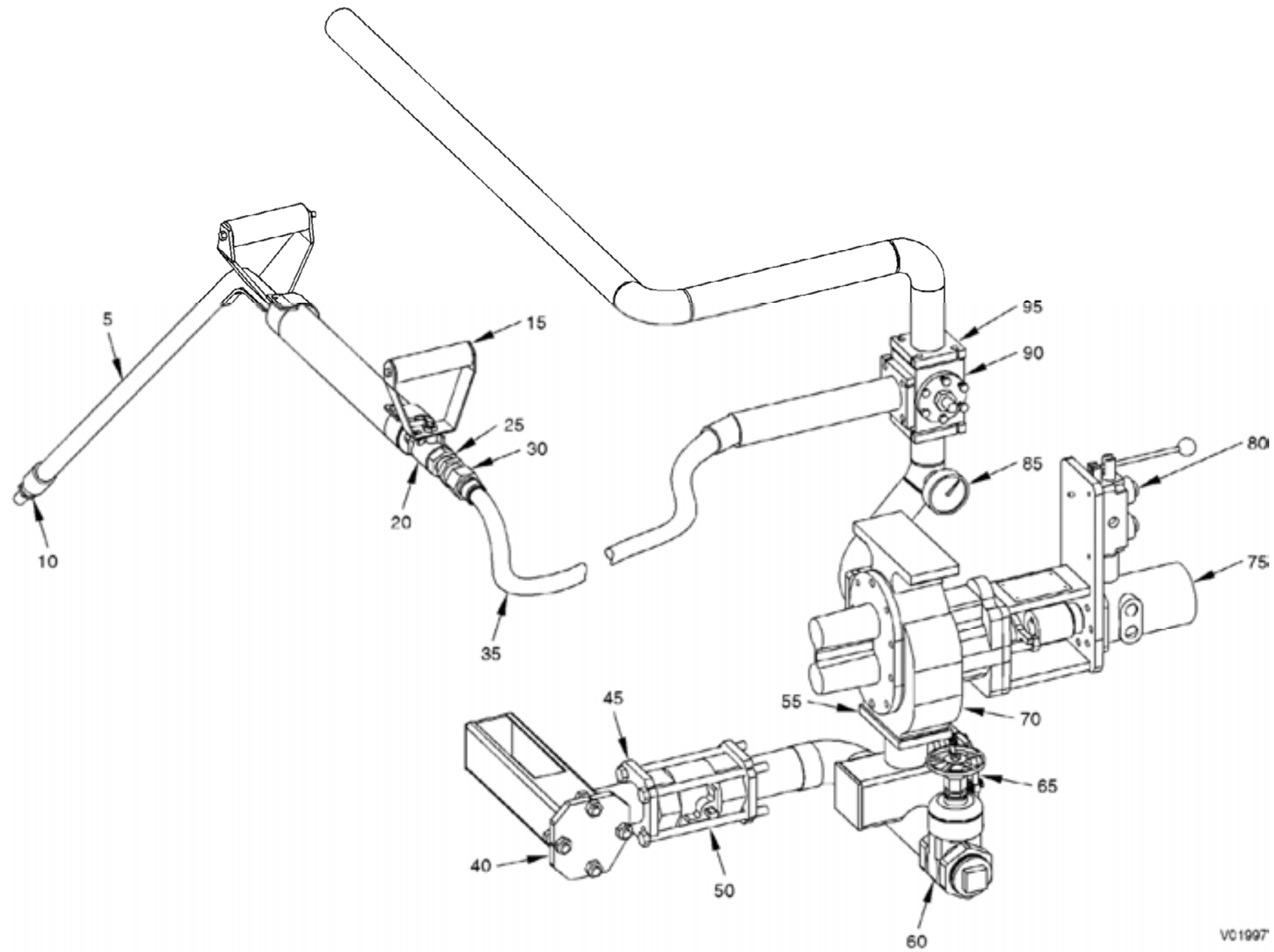


Figure 6-4. Circulation Plumbing

V01997



Fig	Item	Description	Part No.	Qty
6-4		Circulation Plumbing		RF
	5	Application Wand Assembly	<a href="#">MSC-80409</a>	1
	10	• Wand Tip (Steel)	<a href="#">MSC-80408</a>	1
	15	• Handle	<a href="#">GRD-27083</a>	1
	20	• Valve, Wand	<a href="#">VLV-29229</a>	1
	25	• Quick Connect, Male	<a href="#">FIT-29741</a>	1
	30	• Quick Connect, Female	<a href="#">FIT-29740</a>	1
	35	Application Hose	<a href="#">MSC-80418-Y</a>	1
	40	Gasket	<a href="#">RNG-29046</a>	1
	45	Gasket, 2 in.	<a href="#">RNG-29054</a>	2
	50	Valve, Tank	<a href="#">VLV-29272</a>	1
	55	Gasket, 2 in.	<a href="#">RNG-29054</a>	2
	60	Valve, Drain	<a href="#">VLV-29270</a>	1
	65	Strainer, Kracker™	<a href="#">HSG-80234</a>	1
		• Screen, Strainer	<a href="#">FTR-80222</a>	1
		• Gasket	<a href="#">RNG-29046</a>	1
	70	Product Pump, BC-110 (see Figure 1-5)	<a href="#">PMP-81108</a>	1
	75	Hydraulic Motor, Product Pump	<a href="#">PMP-80309</a>	1
	80	Valve, Directional Control	<a href="#">VLV-80005</a>	1
	85	Product Temperature Gauge	<a href="#">MTR-80311</a>	1
	90	Application/Recirculation Valve	<a href="#">VLV-80050</a>	1
	95	Gasket, 1 1/2 in.	<a href="#">RNG-29047</a>	3

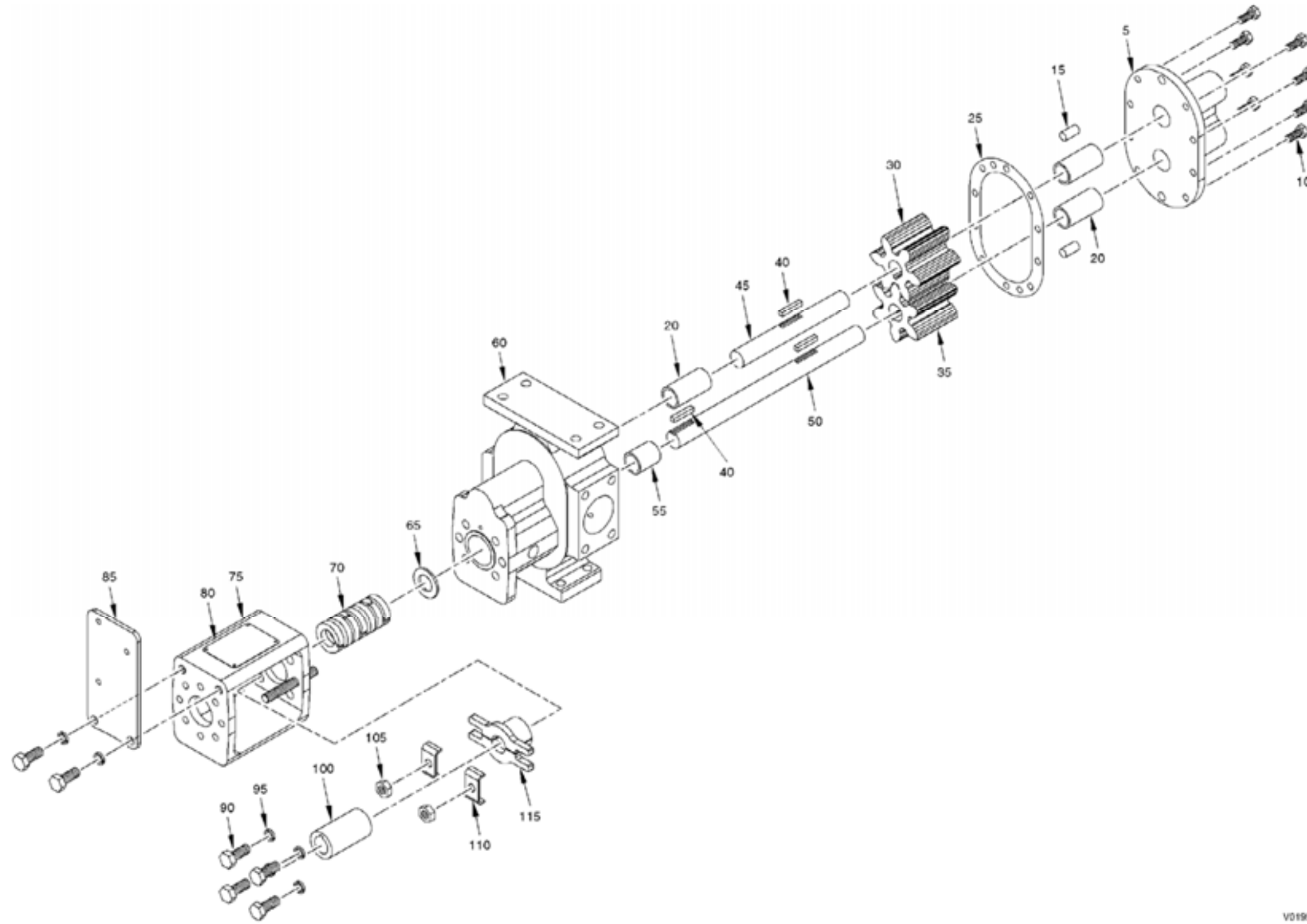


Figure 6-5. Product Pump

V01998



Fig	Item	Description	Part No.	Qty
6-5	-1	Product Pump, BC-110	<a href="#">PMP-81108</a>	RF
	5	Face Plate	<a href="#">HSG-31051</a>	1
	10	Hex Bolt 3/8 in. – 16 X 1 in.	<a href="#">FAS-28731</a>	8
	15	Dowel Pin	<a href="#">FAS-33655</a>	2
	20	Bushing, Long	<a href="#">PTM-74011</a>	3
	25	Gasket	<a href="#">RNG-29994</a>	1
	30	Gear, Right-Hand	<a href="#">PTM-30005</a>	1
	35	Gear, Left-Hand	<a href="#">PTM-30004</a>	1
	40	Key, 0.25 in. X 0.25 in. X 1.5 in.	<a href="#">PTM-31003</a>	3
	45	Shaft, Pump Idler	<a href="#">PTM-31002</a>	1
	50	Shaft, Pump Drive	<a href="#">PTM-31001</a>	1
	55	Bushing, Short	<a href="#">PTM-74012</a>	1
	60	Housing	<a href="#">HSG-31050</a>	1
	65	Washer, Packing	<a href="#">FAS-80294</a>	1
	70	Packing	<a href="#">RNG-80059</a>	1
	75	Bracket, BC-110 Motor/Valve	<a href="#">HSG-80315</a>	1
	80	Plate, Warning	<a href="#">MSM-33710</a>	1
	85	Mount, Valve	<a href="#">BRK-80319</a>	1
	90	Hex Bolt 1/2 in. – 13 X 1 in.	<a href="#">FAS-28760</a>	6
	95	Washer, Lock 1/2 in.	<a href="#">FAS-28649</a>	6
	100	Coupling	<a href="#">PTM-80310</a>	1
	105	Nut, Hex 1/2 in. – 13	<a href="#">FAS-28504</a>	2
	110	Retainer	<a href="#">BRK-80011</a>	2
	115	Packing Gland	<a href="#">PMP-33740</a>	1

**NOTE:** A dash (-) before the item number indicates the item is not illustrated on that figure.

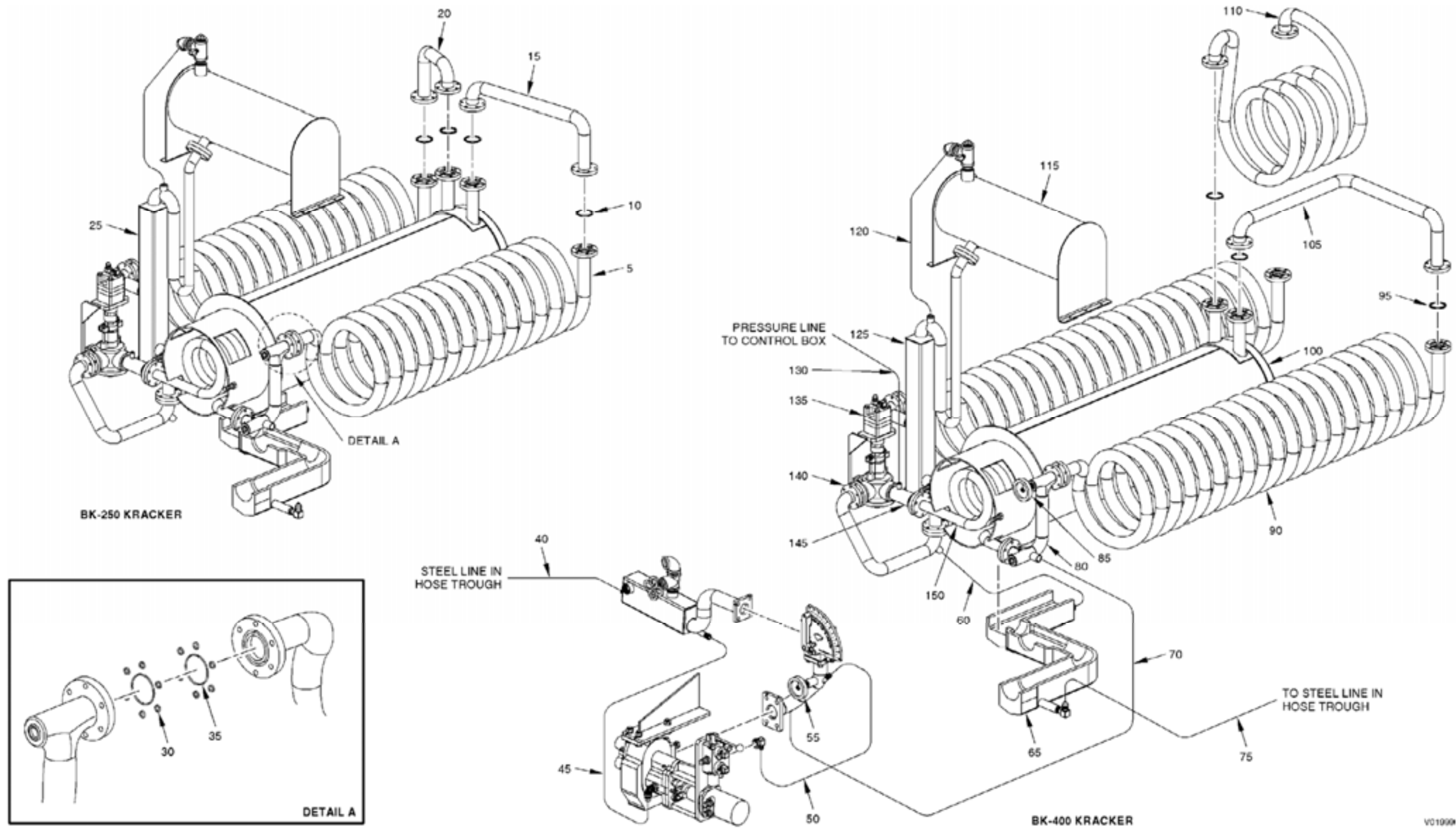
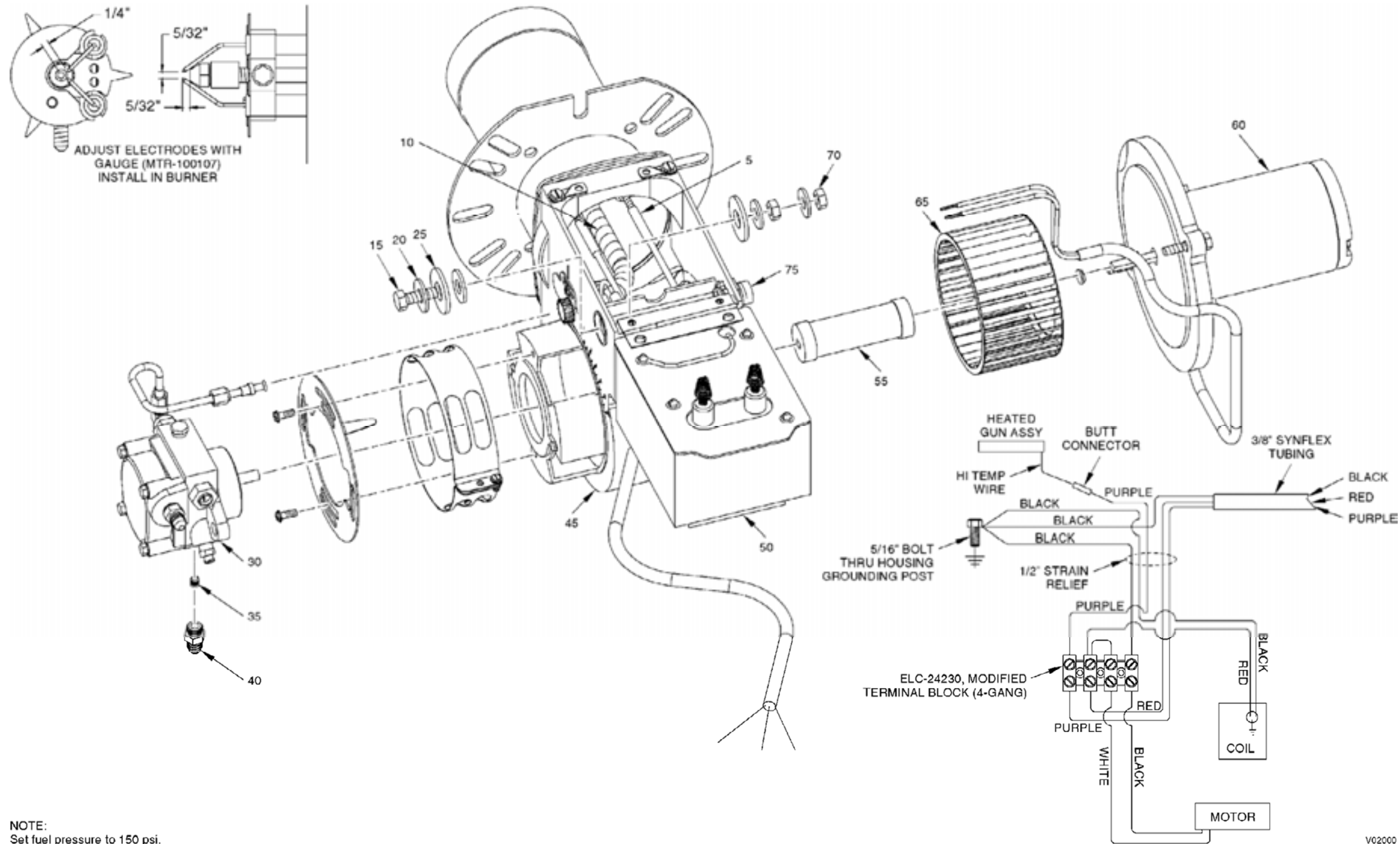


Figure 6-6. Hot-Oil System



Fig	Item	Description	Part No.	Qty
6-6		Hot-Oil System		RF
	5	Coiling (BK-250D)	<a href="#">MSC-71207</a>	2
	10	O-Ring, Viton (BK-250D)	<a href="#">RNG-71032</a>	9
	15	Line, Cross-Over (BK-250D)	<a href="#">MSC-71214</a>	1
	20	Feed Line, Cross-Over (BK-250D)	<a href="#">MSC-71215</a>	1
	25	Hot-Oil Return and Suction Assembly (BK-250D)	<a href="#">MSC-71202</a>	1
	30	O-Ring, Bolt-to-Flange	<a href="#">RNG-71031</a>	24
		Washer	<a href="#">FAS-28618</a>	12
	35	O-Ring, Viton	<a href="#">RNG-71032</a>	4
	40	Steel Line (Hose Trough)		AR
	45	S/S Hose 3/8 in. X 18 in.	<a href="#">MSC-80371</a>	1
	50	S/S Hose 3/8 in. X 18 in.	<a href="#">MSC-80371</a>	1
	55	Product Temperature Gauge	<a href="#">MTR-80311</a>	RF
	60	S/S Hose 3/8 in. X 18 in.	<a href="#">MSC-80371</a>	1
	65	Manifold, Lower	<a href="#">MSC-80391</a>	1
	70	S/S Hose 3/8 in. X 1.04 ft	<a href="#">MSC-80370</a>	1
	75	S/S Flex Hose 34 in.	<a href="#">MSC-82080</a>	1
	80	Coiling Supply Line	<a href="#">MSC-71206</a>	1
	85	Hot-Oil Temperature Gauge	<a href="#">MTR-80311</a>	1
	90	Coiling (BK-400D)	<a href="#">MSC-71208</a>	2
	95	O-Ring, Viton (BK-400D)	<a href="#">RNG-71032</a>	11
	100	Flue	<a href="#">HSG-71209</a>	1
	105	Line, Cross-Over (BK-400D)	<a href="#">MSC-71216</a>	1
	110	Coiling, Extension (BK-400D)	<a href="#">MSC-71218</a>	1
	115	Hot-Oil Expansion Tank	<a href="#">TNK-71201</a>	RF
	120	Vent Line (3/8 in. Brake Line)		AR
	125	Hot-Oil Return and Suction Assembly (BK-400D)	<a href="#">MSC-71217</a>	1
	130	Pressure Line to Control Box (3/8 in. Brake Line)		AR
	135	Hot-Oil Pump and Motor Assembly	<a href="#">MSC-71205</a>	1
	140	Hot-Oil Pump Suction Line	<a href="#">MSC-71203</a>	1
	145	Adaptor, Outlet	<a href="#">MSC-71204</a>	1
	150	Coiling, Heat Flue	<a href="#">MSC-71025</a>	1



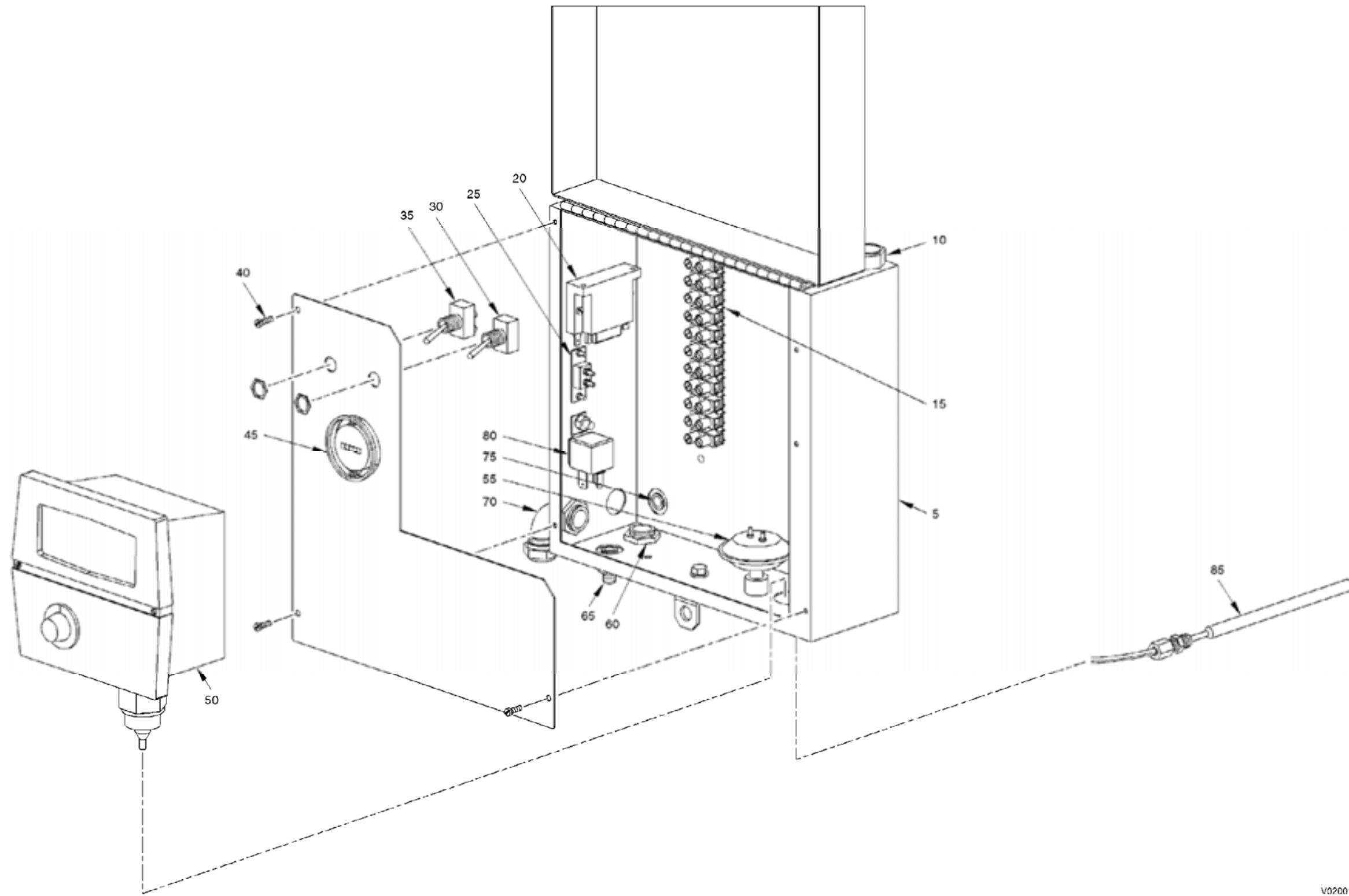
NOTE:  
Set fuel pressure to 150 psi.

V02000

Figure 6-7. Diesel Burner Assembly



Fig	Item	Description	Part No.	Qty
6-7		Diesel Burner Assembly	<a href="#">PTM-80690</a>	RF
	5	Electrodes	<a href="#">ELC-24954</a>	1
	10	Gun Assembly, Modified	<a href="#">ELC-80683</a>	1
		• Fuel Spray Nozzle	<a href="#">FIT-80686</a>	1
	15	Hex Bolt 5/16 in. – 18 X 1 in.	<a href="#">FAS-28716</a>	1
	20	Washer, Flat 5/16 in.	<a href="#">FAS-28633</a>	4
	25	Washer, Flat 7/16 in.	<a href="#">FAS-28635</a>	2
	30	Fuel Pump	<a href="#">PMP-81058</a>	1
	35	Soc. Hd. Pipe Plug 1/16 in.	Provided	1
			W/Burner	
	40	Fitting	<a href="#">4MJ-4MP</a>	2
	45	Burner Assembly, Modified, 2.5 gal/hr	<a href="#">PTM-80690</a>	1
	50	Ignition Coil W/Lid (custom)	<a href="#">ELC-80699</a>	1
	55	Coupler, Pump/Fan	<a href="#">FIT-80688</a>	1
	60	Electric Motor, Modified	<a href="#">ELC-80696</a>	1
	65	Blower Cage	<a href="#">MCH-80690</a>	1
	70	Nut, Hex 5/16 in. – 18	<a href="#">FAS-28501</a>	2
	75	Strain Relief 1/2 in.	<a href="#">ELC-24421</a>	1



V02001

Figure 6-8. Control Box Assembly



Fig	Item	Description	Part No.	Qty
6-8		Control Box Assembly	<a href="#">HSG-81019</a>	RF
	5	Control Box	<a href="#">HSG-81017</a>	1
	10	Conduit Connector 1/2 in. NPT – 1/2 in.	<a href="#">ELC-24408</a>	1
	15	Terminal Block 12-Gang	<a href="#">ELC-24230</a>	1
		Screw 8 – 32 X 3/4 in.	<a href="#">FAS-25814</a>	3
		Nut, Hex 8 – 32	<a href="#">FAS-25856</a>	6
	20	Timer Capsule	<a href="#">ELC-80427</a>	1
		Screw 6 – 32 X 1/2 in.	<a href="#">FAS-25760</a>	2
		Nut, Hex 6 – 32	<a href="#">FAS-28551</a>	2
	25	Circuit Breaker, 30 Amp	<a href="#">ELC-24290</a>	1
		Screw 6 – 32 X 1/2 in.	<a href="#">FAS-25760</a>	2
		Nut, Hex 6 – 32	<a href="#">FAS-28551</a>	2
	30	Switch, Single Pole ON-OFF	<a href="#">ELC-24275</a>	1
	35	Switch, Double Pole ON-OFF	<a href="#">ELC-24267</a>	1
	40	Screw 10 X 1/2 in.	<a href="#">FAS-25833</a>	3
	45	Hour Meter	<a href="#">MTR-80712</a>	1
	50	Temperature Control W/Probe	<a href="#">MTR-80702</a>	1
	55	Pressure Switch	<a href="#">ELC-80705</a>	1
	60	Adaptor, 1/2 in. NPT – 1/2 in. Flex	<a href="#">ELC-24425</a>	1
	65	Fitting	<a href="#">4MP-6CT</a>	1
	70	Adaptor, 1/2 in. NPT – 1/2 in. Flex 90-Degree	<a href="#">ELC-24435</a>	1
	75	Fitting	<a href="#">4MP-6CT</a>	1
	80	Relay, 70 Amp	<a href="#">ELC-24270</a>	1
		Hex Bolt 1/4 in. – 20 X 3/4 in.	<a href="#">FAS-28701</a>	1
		Washer, Flat 1/4 in.	<a href="#">FAS-28632</a>	1
		Washer, Lock 1/4 in.	<a href="#">FAS-28645</a>	1
		Nut, Hex 1/4 in. – 20	<a href="#">FAS-28500</a>	1
	85	Temperature Control Probe	<a href="#">MTR-80702-A</a>	1